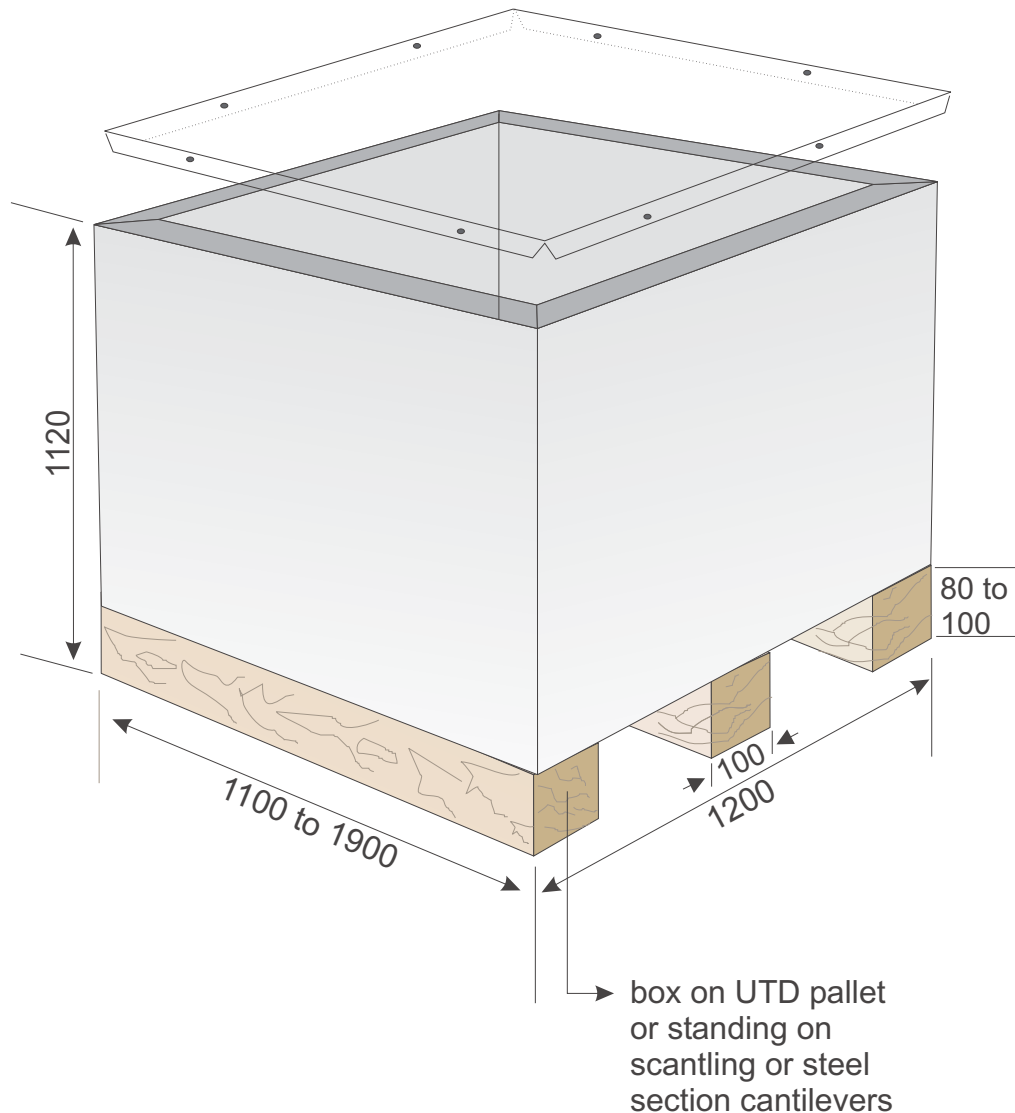


sheet steel repository for bulk solids



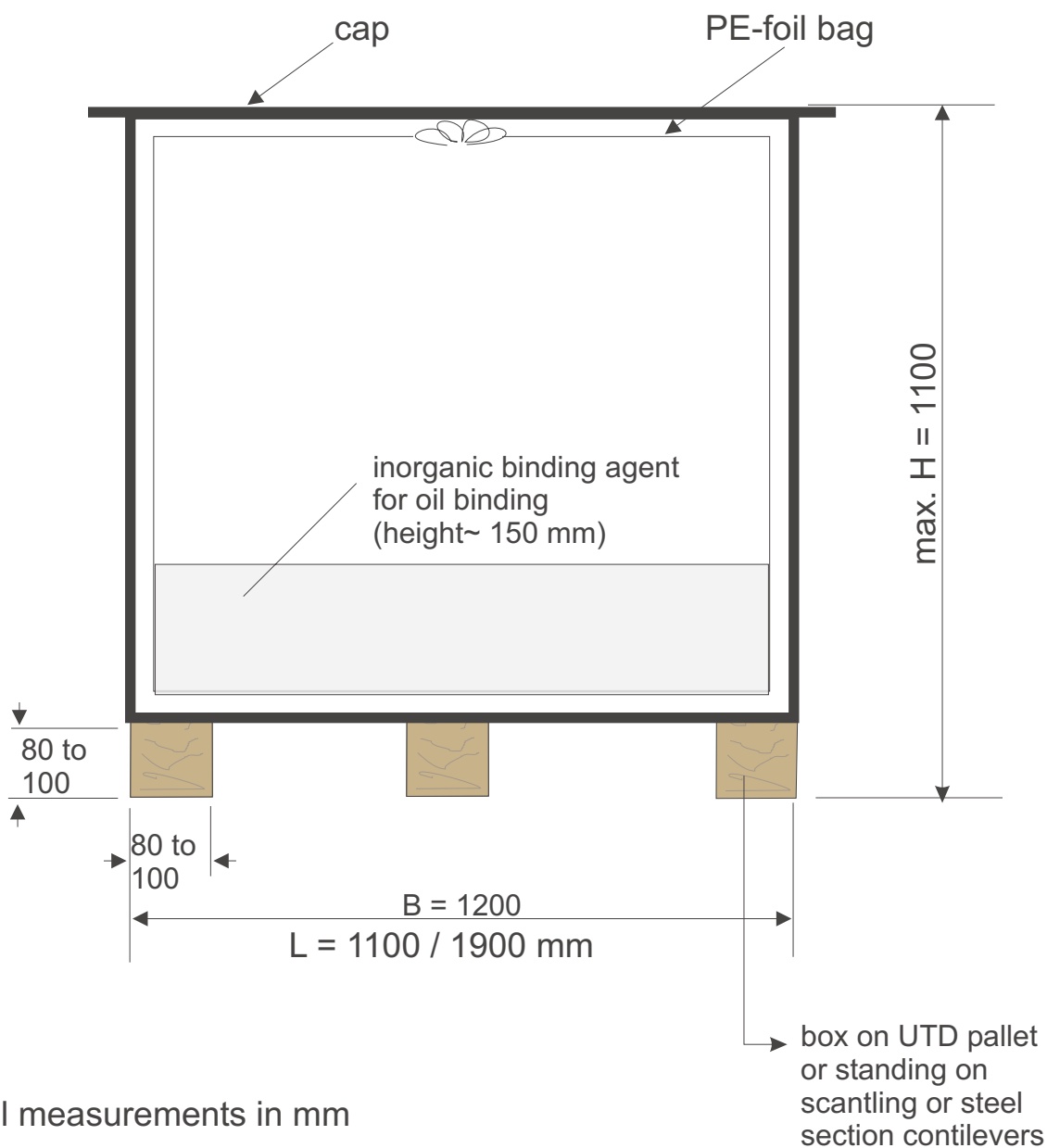
- all measurements in mm
- sheet steel thickness (bottom + cap): $\geq 1,25$ mm
- material St37

Important:

Pallets should be 1.20m wide so that the fork lifter can handel them easily

sheet steel repository for PCB-containing manufactures and manufacturing resources (i.e. capacitors, transformer parts, PCB-containing wastes)

according to: ADR / Kl. 9 / M2 / VP II



all measurements in mm

Important:

Pallets should be 1.20m wide so that the fork lifter can handle them easily.