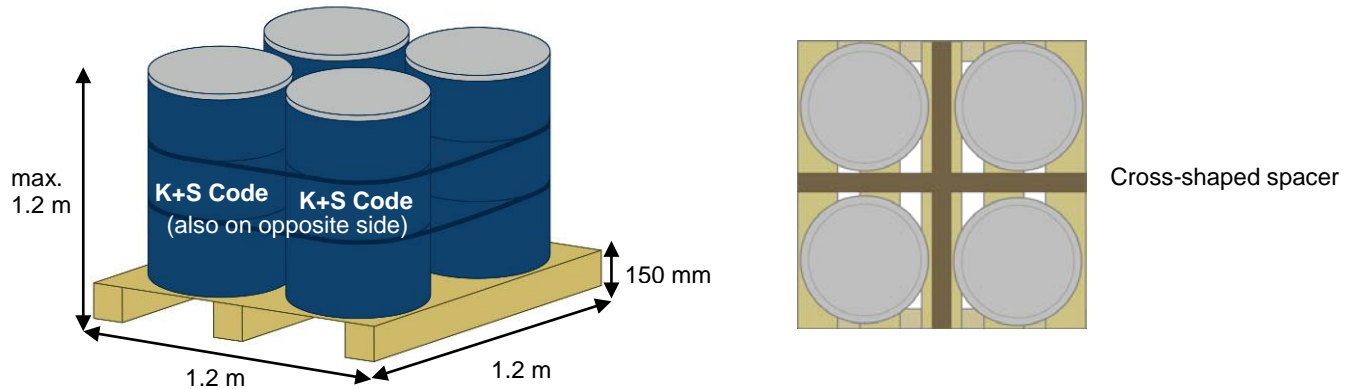


## Packaging requirements for the underground waste disposal plant Zielitz

Date: 04/2015

### Steel drum container unit



All pallets and drums containers need to be undamaged and clean on the outside, the drums tightly sealed.

<p><b>Drum container unit</b></p> <ul style="list-style-type: none"> <li>- steel drums are accepted as so-called drum container units only</li> <li>- a drum container unit generally consists of 4 equally dimensioned steel drums, resting on one pallet</li> <li>- if only one drum is actually filled, three empty drums need to be added to the unit</li> <li>- total height incl. pallet max. 1.2 m</li> <li>- certified (e.g. by inspection certificates) as adequate for 8-tier stacking</li> </ul>	<p><b>Labelling</b></p> <ul style="list-style-type: none"> <li>- durable labelling with 'K+S-code' (no sticker)</li> <li>- on each drum</li> <li>- height min. 10 cm</li> <li>- visible on the side that is picked up by the fork-lift (not on the lid)</li> <li>- if applicable marking in accordance with ADR and GefStoffV</li> </ul>
<p><b>Safeguarding the unit</b></p> <ul style="list-style-type: none"> <li>- 2 steel strips or plastic strips with equal breaking load, each min. 20 mm wide</li> <li>- two cross-shaped spacers between drums: <ul style="list-style-type: none"> <li>→ lower cross-shaped spacer approx. 1.2m long, nailed in centre</li> <li>→ upper cross-shaped spacer: maximum length 1.2m</li> </ul> </li> </ul>	<p><b>Drums</b></p> <ul style="list-style-type: none"> <li>- 4 equally dimensioned 200-litre steel drums</li> <li>- type-approved in accordance with ADR</li> <li>- drums lined with a 0.2 mm-thick, tightly sealed PE-bag (possible exception: hot-filled wastes)</li> </ul>
<p><b>Two-way pallets</b></p> <ul style="list-style-type: none"> <li>- base area: 1.2 m x 1.2 m</li> <li>- to be picked up by fork-lift on one side</li> <li>- certified (e.g. by inspection certificates) as adequate for 8-tier stacking</li> </ul>	<p><b>Drum lids</b></p> <ul style="list-style-type: none"> <li>- removable</li> <li>- tension ring lock pointing to the outside, and cotter pin</li> <li>- bungholes permitted only upon prior agreement</li> <li>- permissible gross weight per drum may not be exceeded</li> </ul>